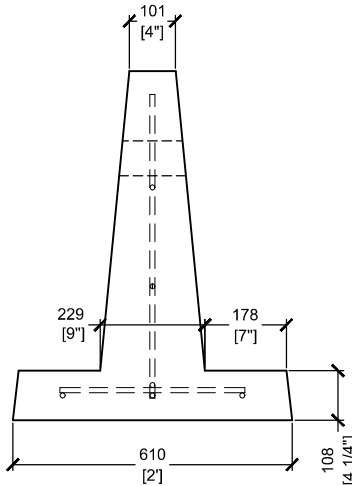


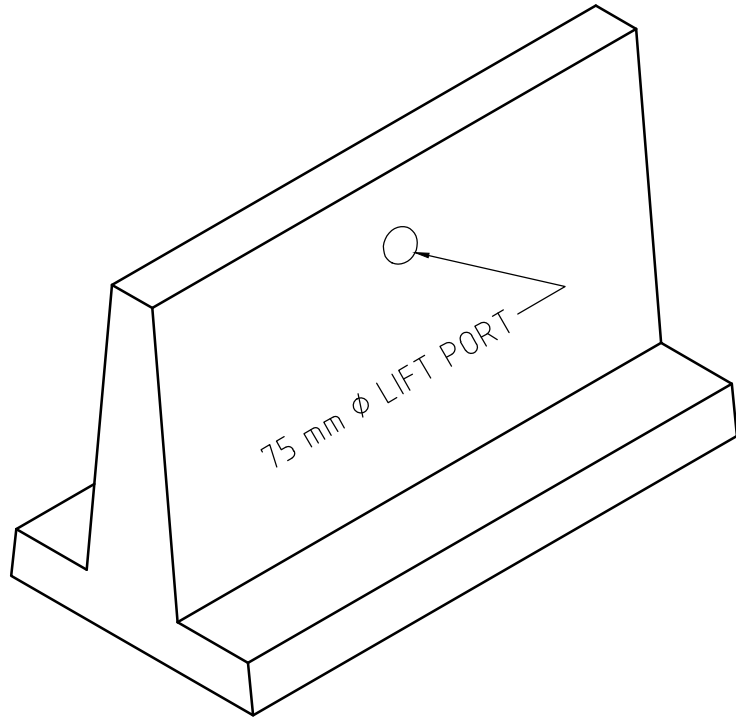
WEIGHT 504.55 KG / 1112.35 LBS

6% - 8% AIR ENTRAINED
35 MPa (5000 psi) @ 28 DAYS
AS PER CSA A23.4-09 STANDARD

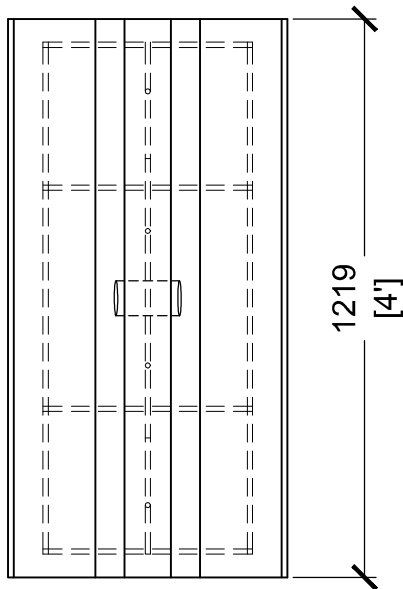
ALL DIMENSIONS DEFAULT TO
MILLIMETERS $\frac{\text{mm}}{[in]}$



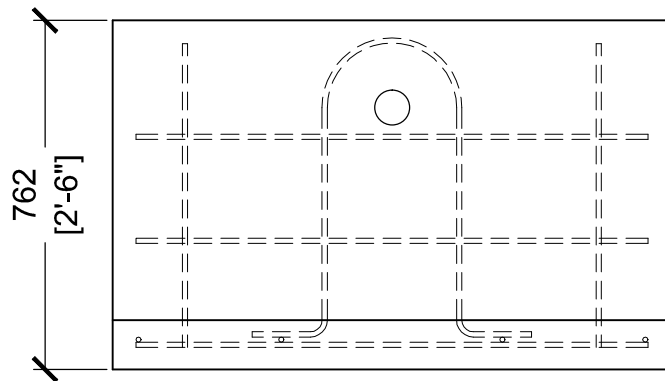
SIDE VIEW A



ISOMETRIC VIEW



PLAN VIEW



SIDE VIEW B

MOOSE CREEK CEMENT PRODUCTS (2006) LIMITED
30 " TRUCK PARKING CURBS

NOT TO SCALE

DATE JUNE 2011

16525 SIXTH RD, MOOSE CREEK, ON
K0C 1W0
PHONE : (613)-538-2381
FAX : (613)-538-4870

